

REVISIONS	DATE	COMMENTS
2015	REVISION 2	
9/06	REVISION 1	

DATE: 2015  
COMMENTS: REVISION 2

LOCATE WIRE STATION DETAIL  
SCALE: N.T.S.



REVISIONS	DATE	COMMENTS
2017	REVISION 3	
2015	REVISION 2	
9/06	REVISION 1	

DATE: 2017  
COMMENTS: REVISION 3

TYPICAL LARGE WATER METER INSTALLATION  
SCALE: N.T.S.



REVISIONS	DATE	COMMENTS
2015	REVISION 2	
9/06	REVISION 1	

DATE: 2015  
COMMENTS: REVISION 2

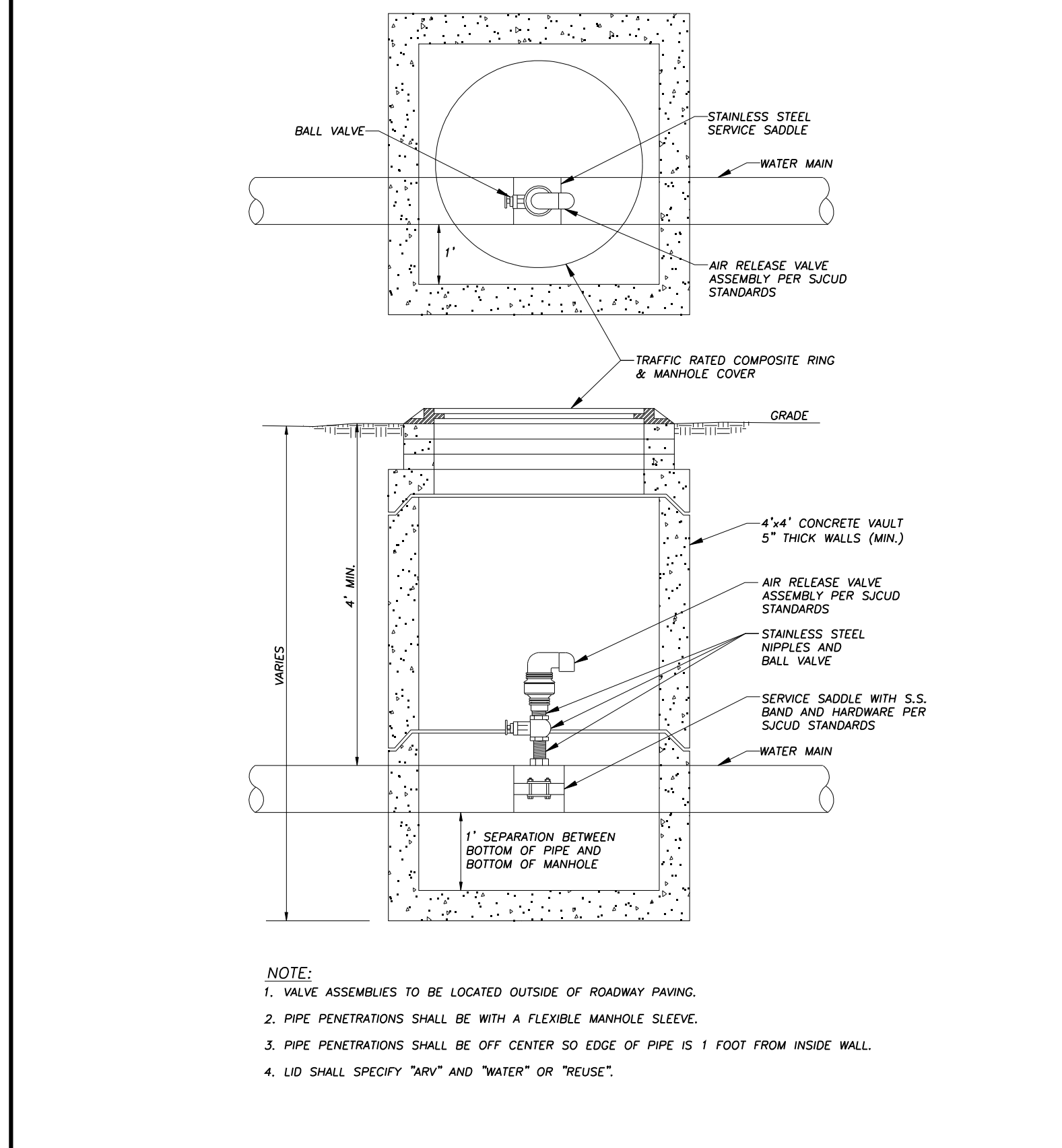
TYPICAL MULTIPLE WATER METER BANK INSTALLATION  
SCALE: N.T.S.



REVISIONS	DATE	COMMENTS
2015	REVISION 2	
9/06	REVISION 1	

DATE: 2015  
COMMENTS: REVISION 2

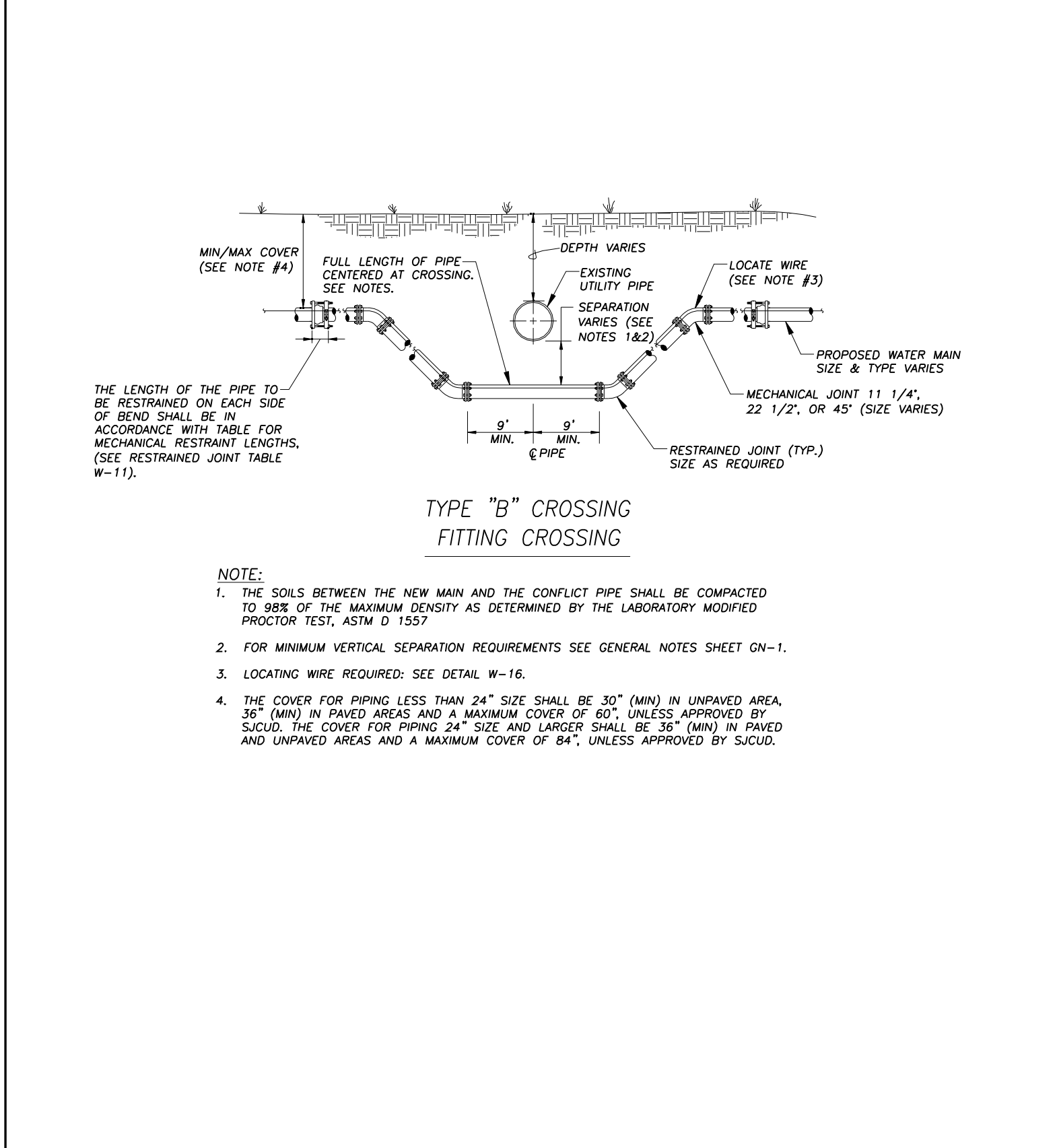
TYPICAL ABOVE GROUND UTILITY MARKERS INSTALLATION  
SCALE: N.T.S.



REVISIONS	DATE	COMMENTS
2015	REVISION 2	
9/06	REVISION 1	

DATE: 2015  
COMMENTS: REVISION 2

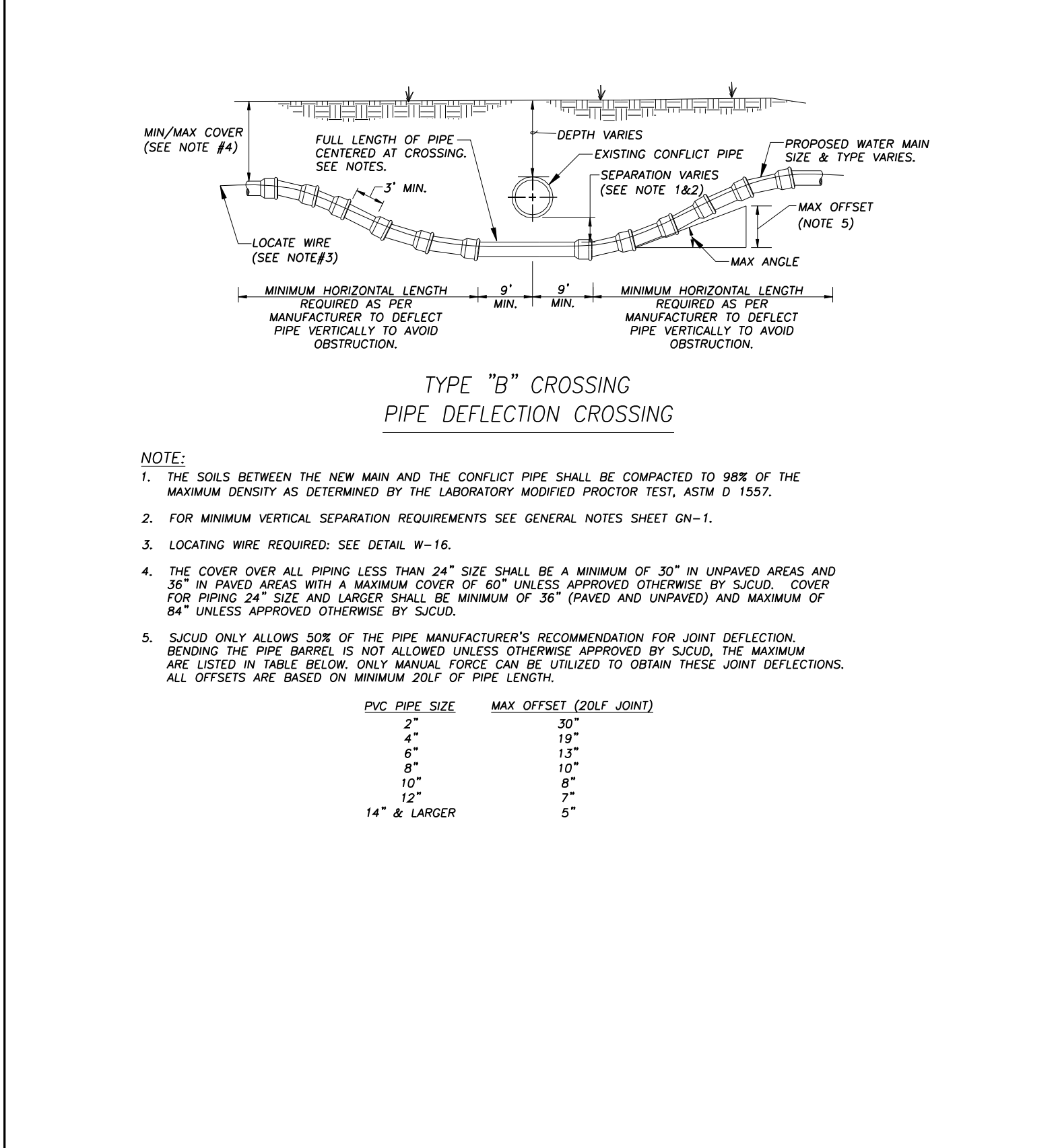
AIR VALVE ASSEMBLY WITH MANHOLE  
SCALE: N.T.S.



REVISIONS	DATE	COMMENTS
2015	REVISION 1	

DATE: 2015  
COMMENTS: REVISION 1

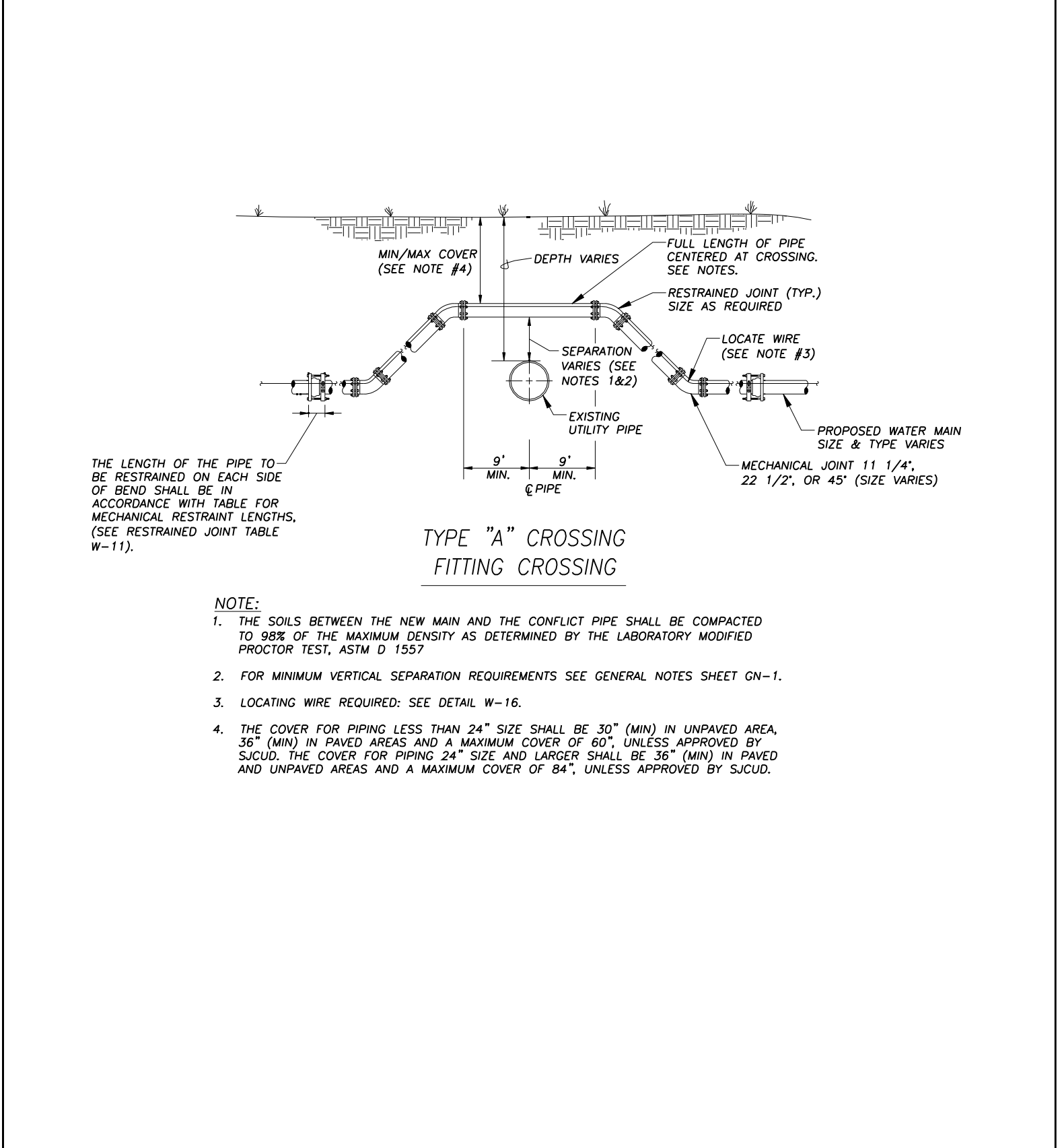
TYPE "B" PIPE CROSSING WITH FITTINGS  
SCALE: N.T.S.



REVISIONS	DATE	COMMENTS
2015	REVISION 1	

DATE: 2015  
COMMENTS: REVISION 1

TYPE "B" PIPE CROSSING WITH DEFLECTION  
SCALE: N.T.S.



REVISIONS	DATE	COMMENTS
2015	REVISION 1	

DATE: 2015  
COMMENTS: REVISION 1

TYPE "A" PIPE CROSSING WITH FITTINGS  
SCALE: N.T.S.

NO.	BY	DATE	SYMBOL	REVISIONS
6.				
5.				
4.				
3.				
2.	ETS	2017		REVISION 3
1.	ETS	2015		REVISION 2

DESIGNER:	DESIGN ENGINEER
DRAWN BY:	
DATE:	FLORIDA REGISTRATION NO.
CHECKED BY:	
DATE:	

**ST. JOHNS COUNTY UTILITY DEPARTMENT**  
 1205 STATE ROAD 16  
 ST. AUGUSTINE, FLORIDA 32084-8646  
 Phone (904) 209-2700 • Fax (904) 209-2702

NO. SHEETS
SHEET NO. GW-3
DRAWING NO. GW-03.dwg

**GENERAL WATER DETAILS**

NO. SHEETS  
SHEET NO. GW-3  
DRAWING NO. GW-03.dwg