

REVISIONS	
Date	Comments
2015	REVISION 2
9/06	REVISION 1

**FIRE HYDRANT INSTALLATION USING MECHANICAL JOINT TEE**

SCALE: N.T.S.

PLATE: W-1

REVISIONS	
Date	Comments
2015	REVISION 2
9/06	REVISION 1

**FIRE HYDRANT INSTALLATION USING TAPPING SLEEVE AND VALVE**

SCALE: N.T.S.

PLATE: W-2

REVISIONS	
Date	Comments
2015	REVISION 2
9/06	REVISION 1

**LIMITED SPACE FIRE HYDRANT INSTALLATION**

SCALE: N.T.S.

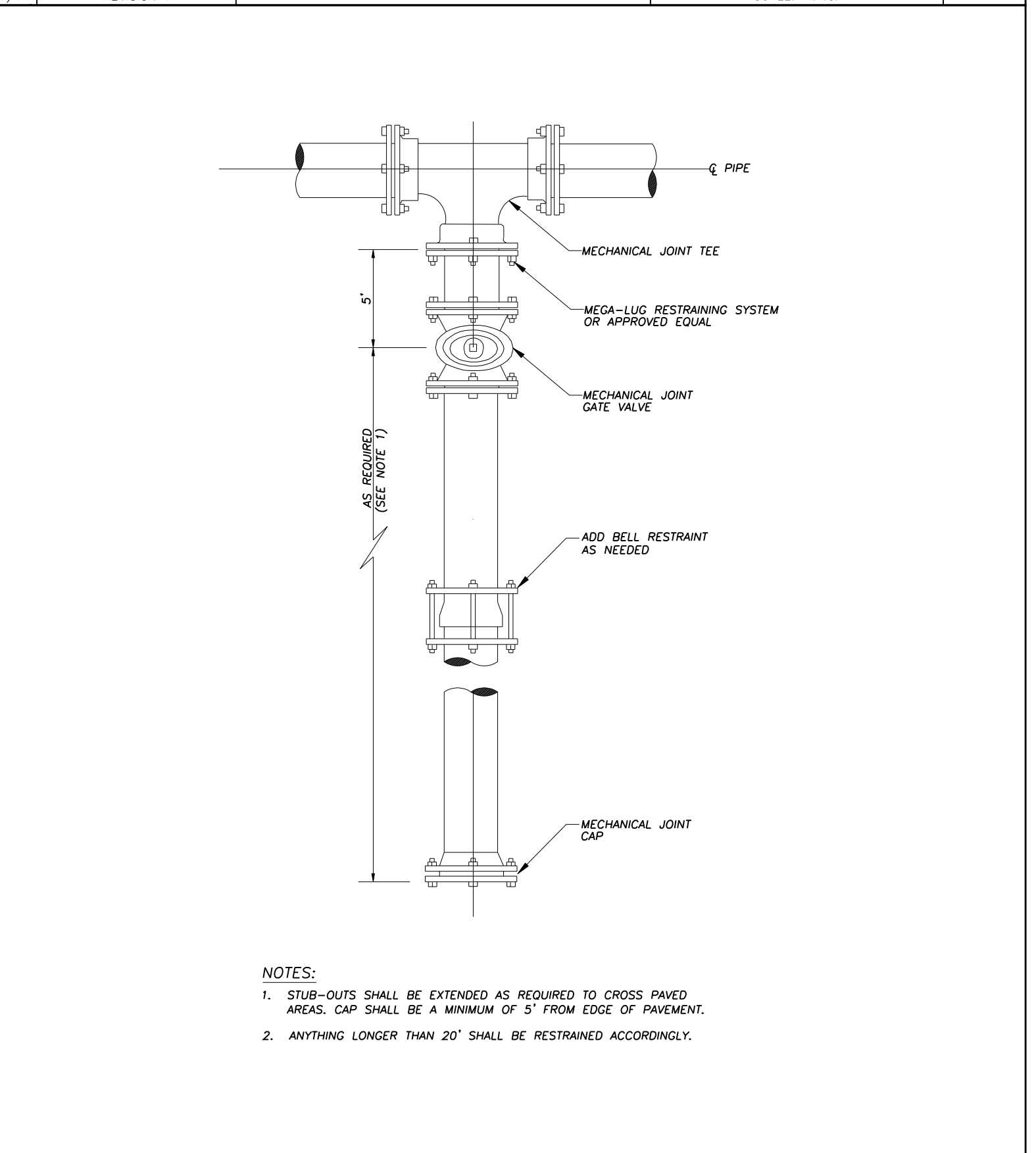
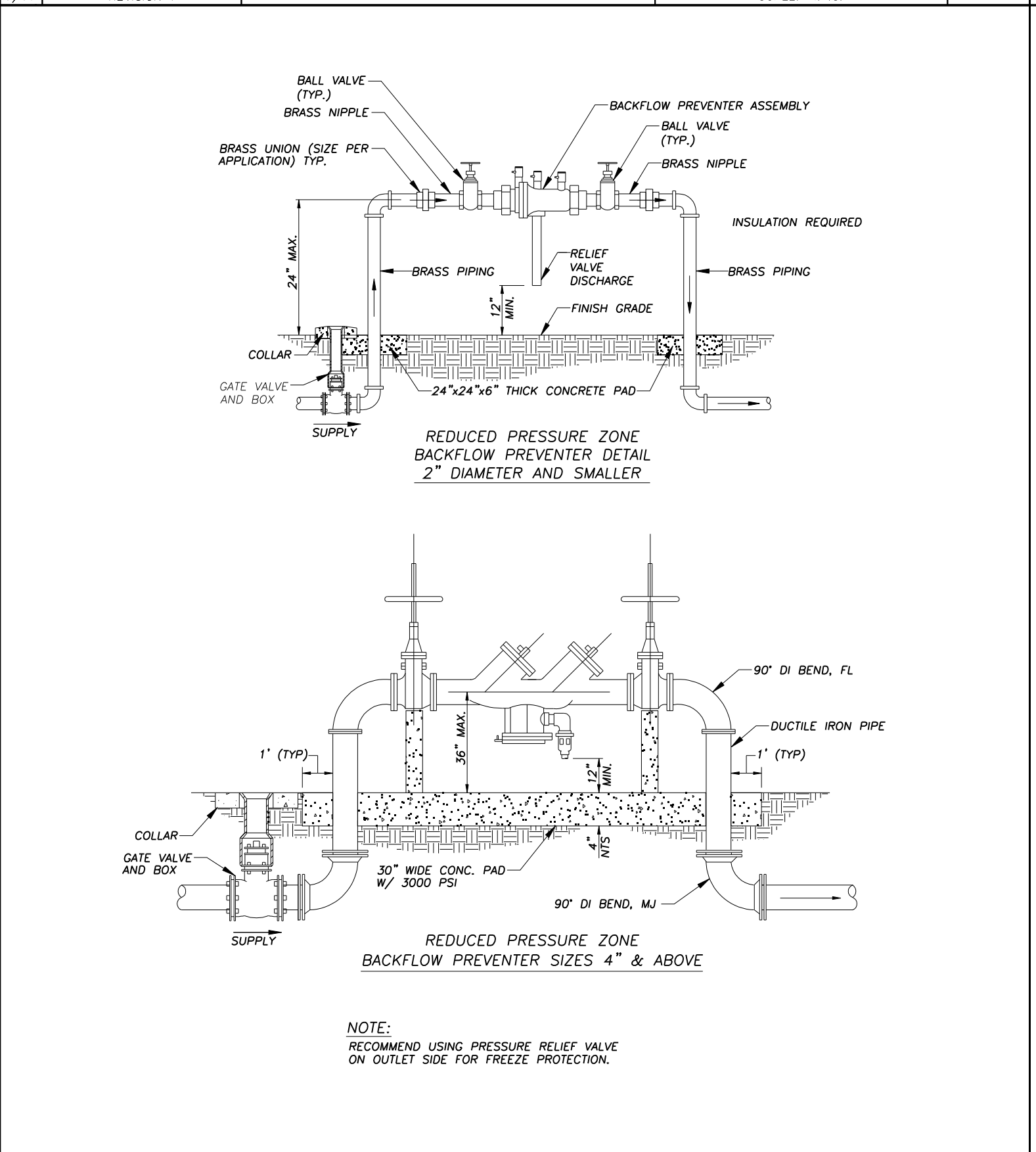
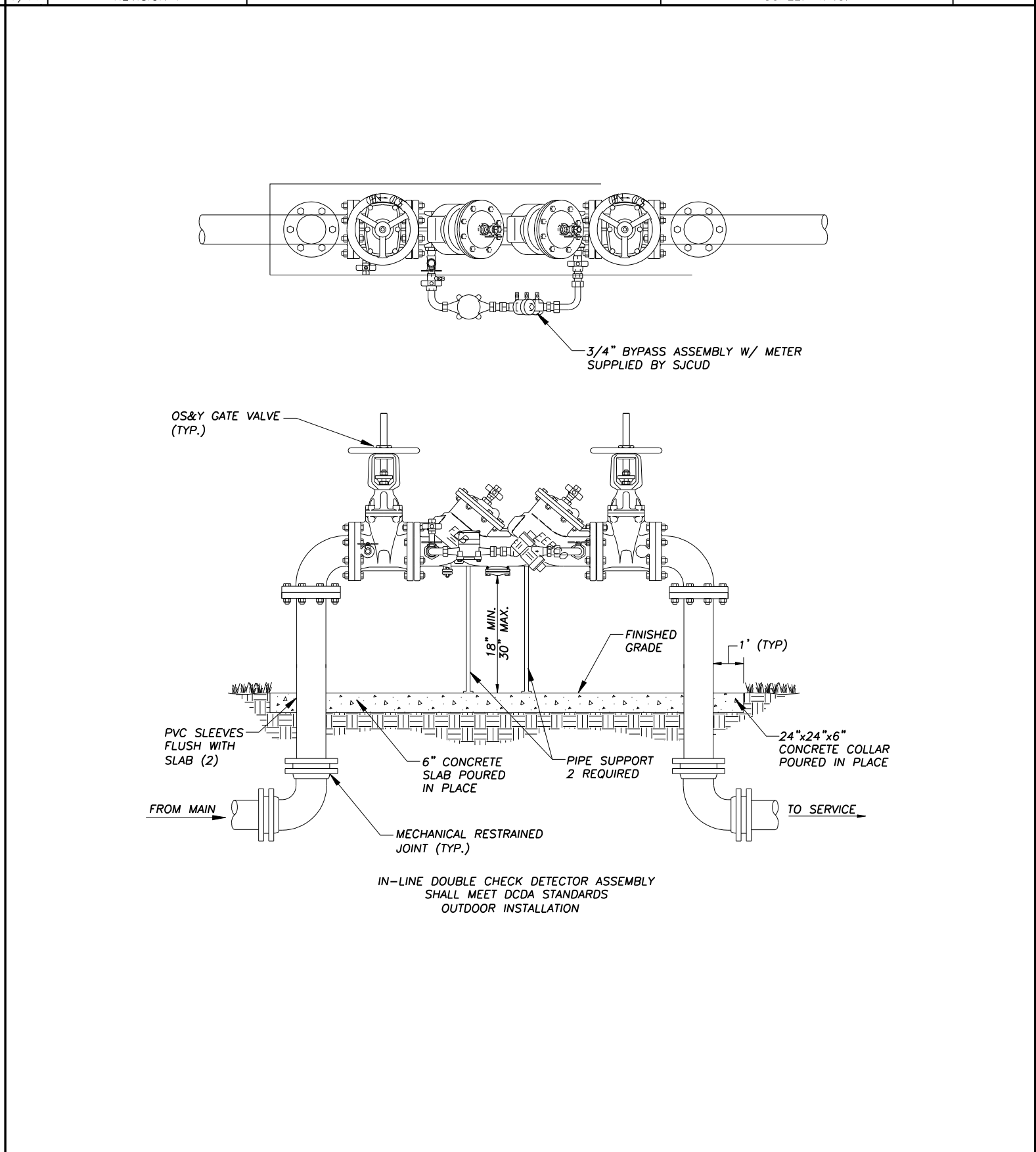
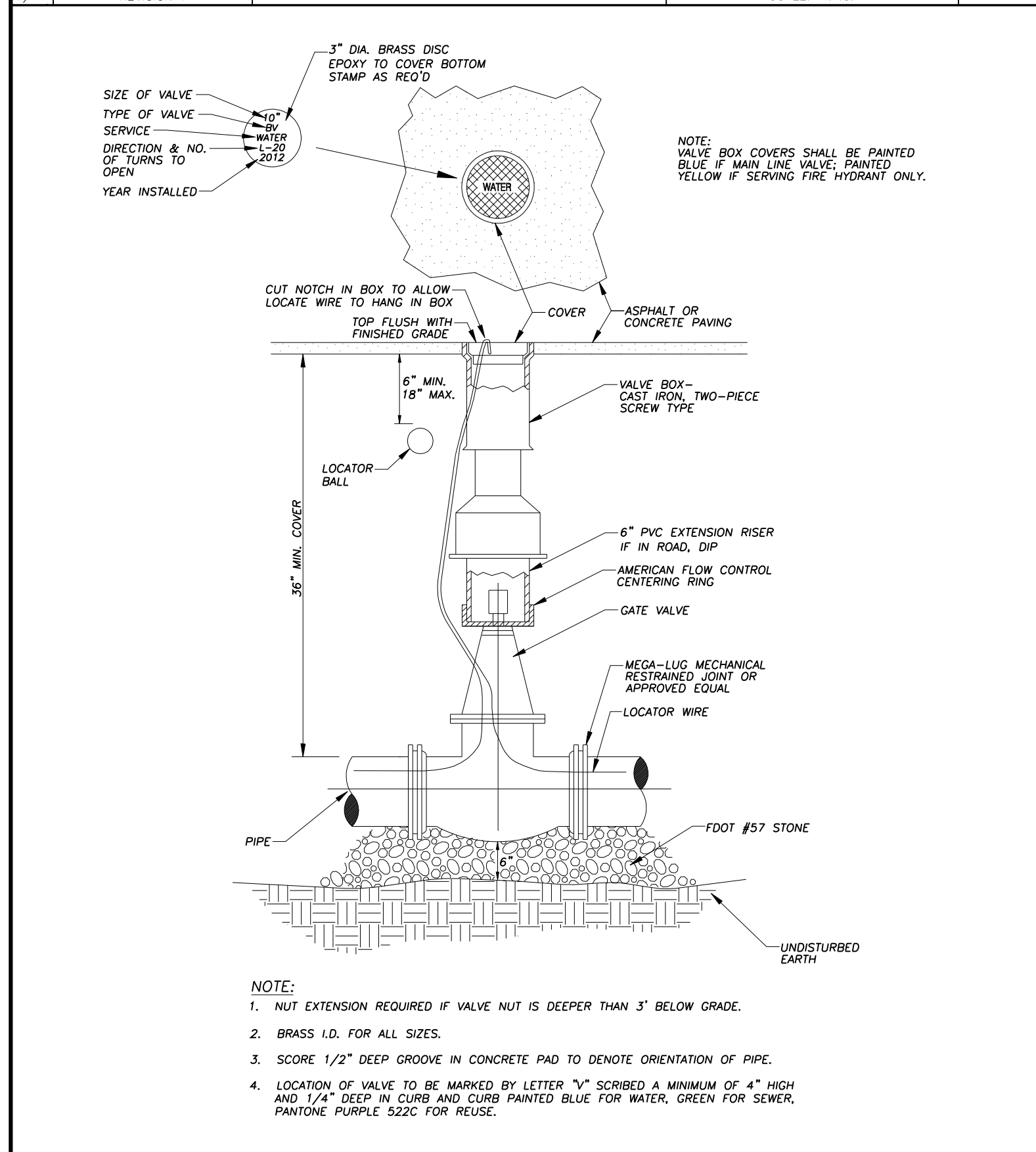
PLATE: W-2A

REVISIONS	
Date	Comments
2015	REVISION 2
9/06	REVISION 1

**GATE VALVE & BOX FOR UNPAVED LOCATIONS 4"-16"**

SCALE: N.T.S.

PLATE: W-3



REVISIONS	
Date	Comments
2015	REVISION 2
9/06	REVISION 1

**GATE VALVE & BOX FOR PAVED LOCATIONS 4"-16"**

SCALE: N.T.S.

PLATE: W-4

REVISIONS	
Date	Comments
2015	REVISION 2
9/06	REVISION 1

**DOUBLE CHECK DETECTOR ASSEMBLY**

SCALE: N.T.S.

PLATE: W-5

REVISIONS	
Date	Comments
2015	REVISION 2
9/06	REVISION 1

**TYPICAL REDUCED PRESSURE ZONE BACKFLOW PREVENTER ASSEMBLY**

SCALE: N.T.S.

PLATE: W-6

REVISIONS	
Date	Comments
2015	REVISION 2
9/06	REVISION 1

**PLUGGED DEAD END MECHANICAL RESTRAINTS**

SCALE: N.T.S.

PLATE: W-7

NO. 6.	BY	DATE	SYMBOL	REVISIONS	DESIGNER:	DESIGN ENGINEER	<p><b>ST. JOHNS COUNTY UTILITY DEPARTMENT</b> 1205 STATE ROAD 16 ST. AUGUSTINE, FLORIDA 32084-8646 Phone (904) 209-2700 • Fax. (904) 209-2702</p>	<p><b>GENERAL WATER DETAILS</b></p>	NO. SHEETS
5.				DRAWN BY:	FLORIDA REGISTRATION NO.	SHEET NO.			
4.				CHECKED BY:		GW-1			
1.	ETS	2015	REVISION 2	DATE:		GW-01.dwg			