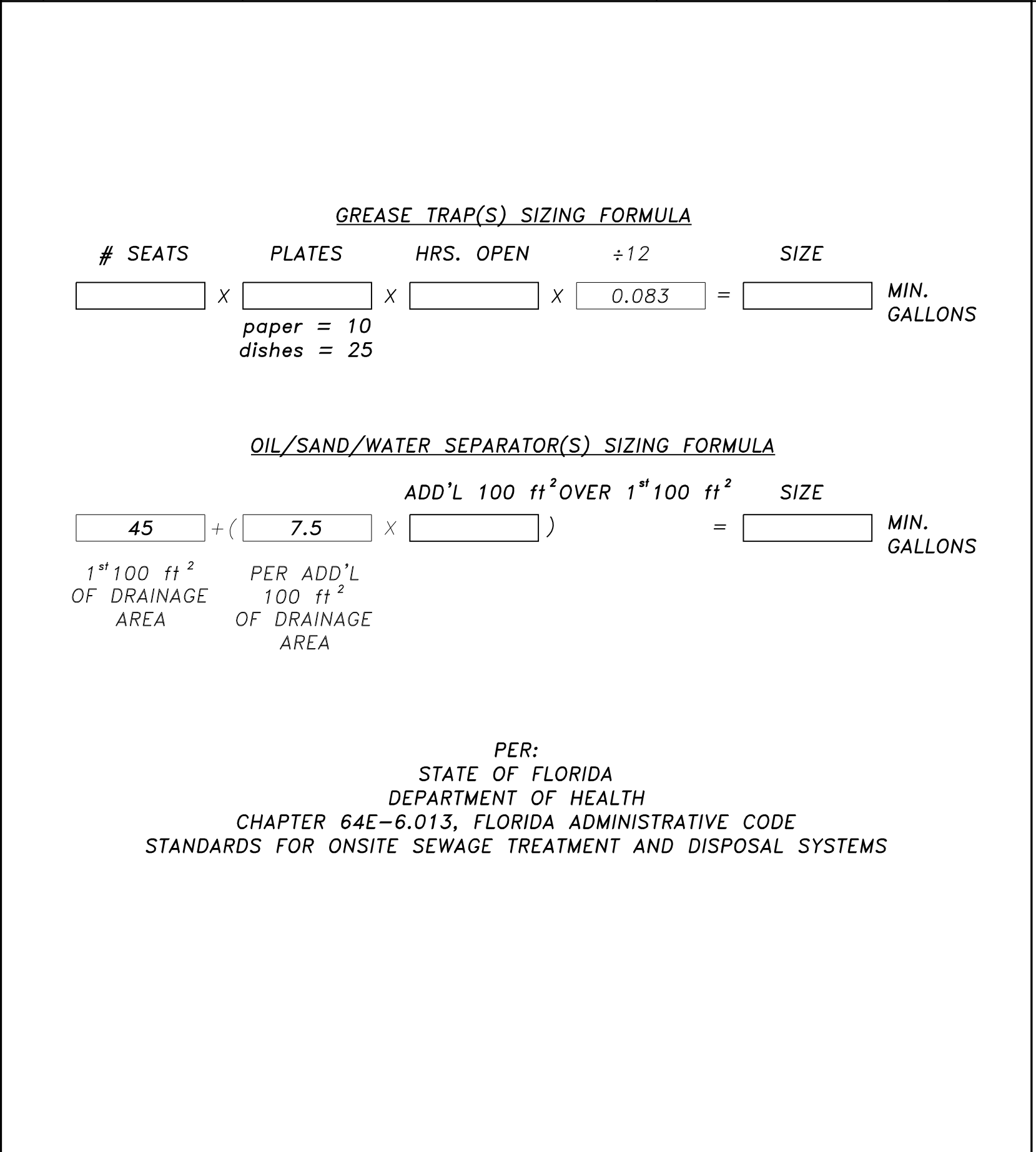
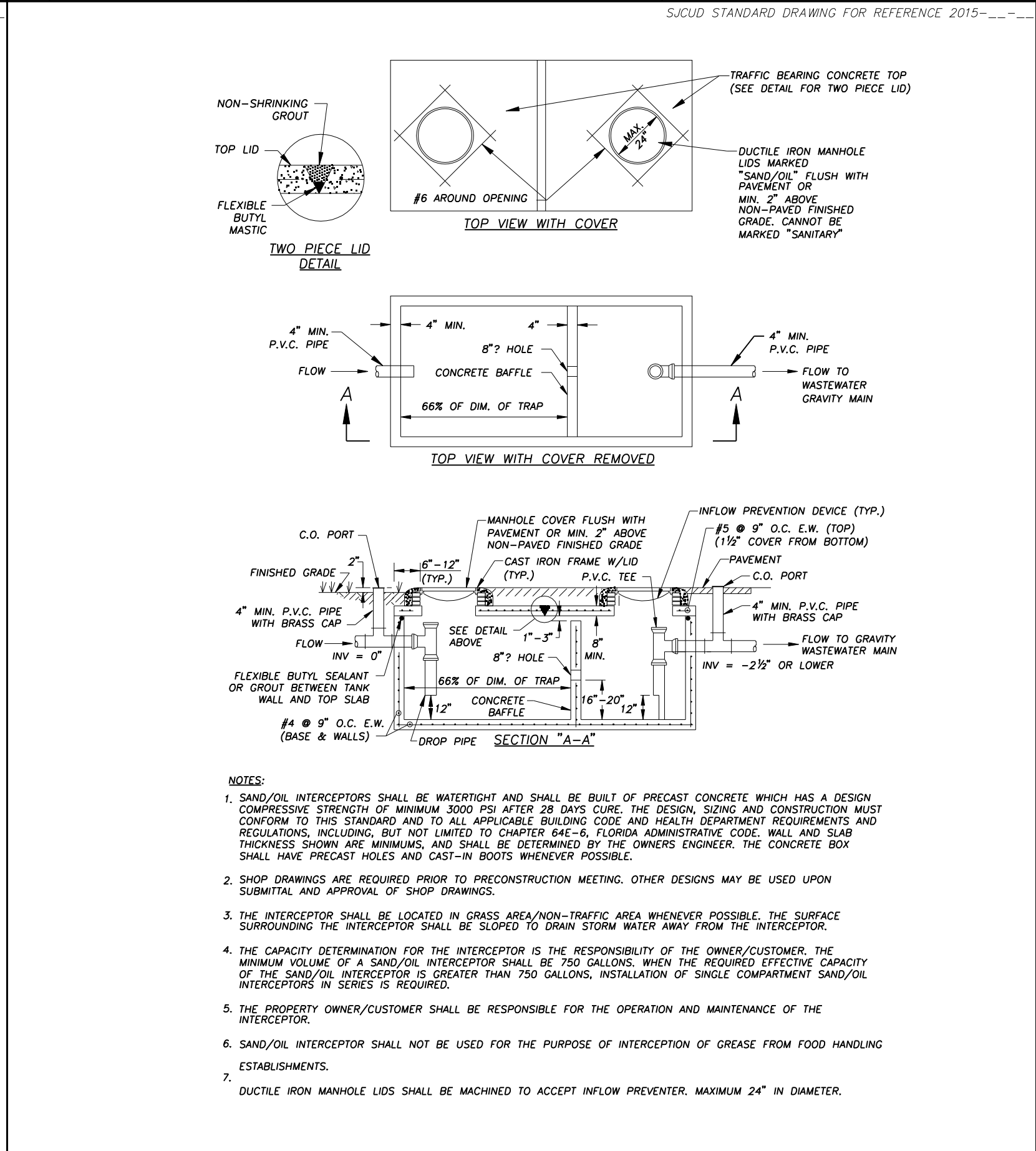
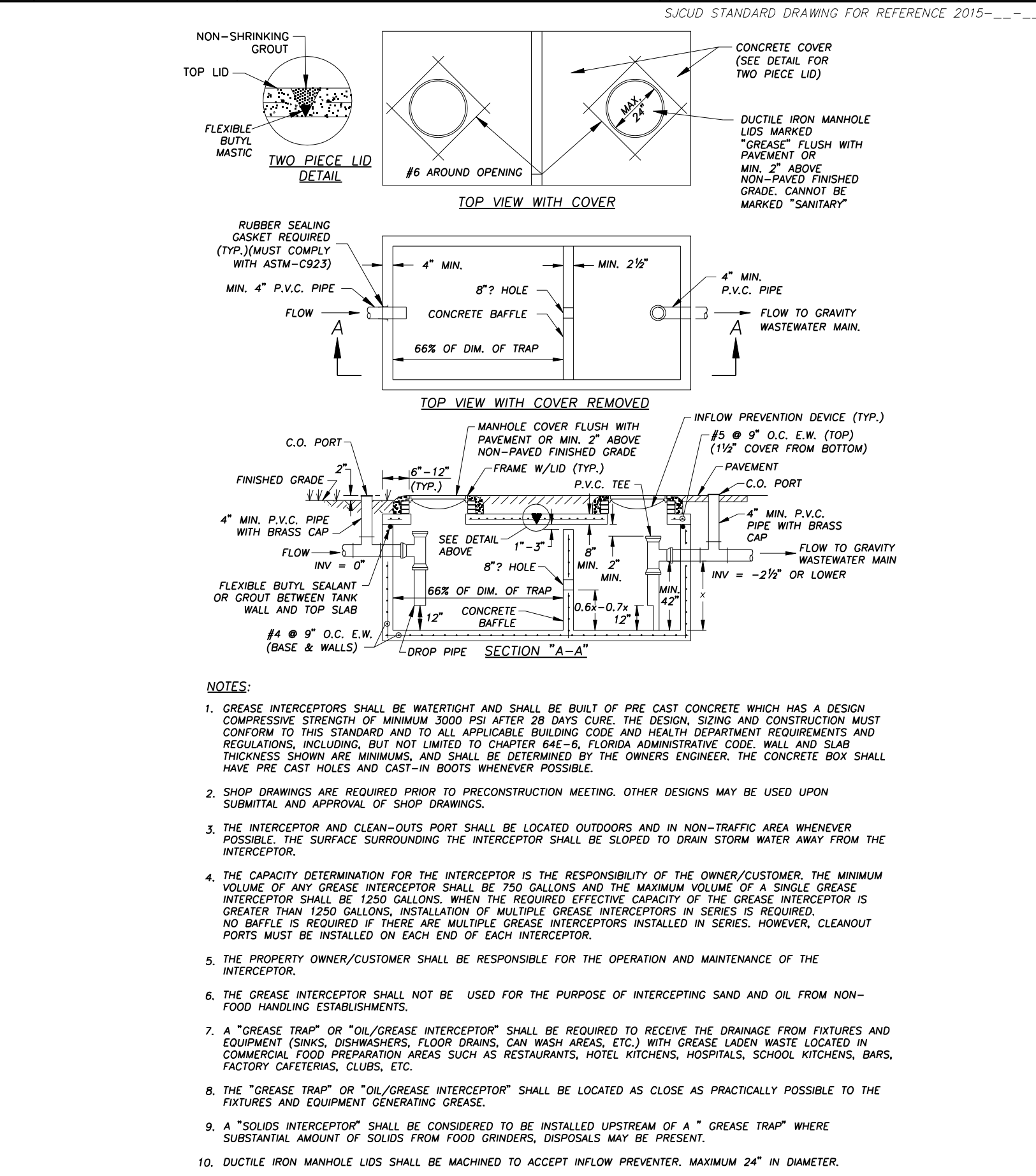


Date	Comments
2018	REVISION 3
2015	REVISION 2
9/06	REVISION 1

Date	Comments
2015	REVISION 2
9/06	REVISION 1

Date	Comments
2016	REVISION 2
2015	REVISION 1

Date	Comments
2015	REVISION 2
9/06	REVISION 1



Date	Comments
2017	REVISION 1

Date	Comments
2017	REVISION 1

Date	Comments
2017	REVISION 1

Date	Comments
2018	REVISION 3
2015	REVISION 2
9/06	REVISION 1

NO.	BY	DATE	SYMBOL	REVISIONS
1.				
2.	ETS	2018		REVISION 3
3.	ETS	2015		REVISION 2

DESIGNER:	DRAWN BY:	DATE:	CHECKED BY:	DATE:

DESIGN ENGINEER	FLORIDA REGISTRATION NO.

NO. SHEETS
SHEET NO. GS-2
DRAWING NO. GS-02.dwg